

Membrane Plant Toolkit Details

Ensure the safe removal of membranes and anti-telescopic devices from your plant.

Keep staff safe with the use of tools designed for purpose. Reduce damages to your plant, your staff, membranes and ATD's.

- ❖ Housing End Cap Removal Tools
- ❖ Removal of Membranes from the Housing
- ❖ Membrane Push Rod Tool
- ❖ Membrane Ejector Block Piging Tools.
- ❖ Removal of ATD's and Blank End Plugs from the Membranes.

All tools are stored in a tough waterproof case to ensure that the tools are available when required. The case has wheels for safe transport around the factory.

(L x W x H) 1.34m x 0.43m x 0.17m

Weight is maximum 30kg.

To view the video on how to use the products please go to www.smartmembranesolutions.co.nz and select Removal Tools from the Solutions Menu

Spiral Wound Membrane Removal Toolkit



Additional SMS Spiral Wound Membrane Products:



Anti-Telescopic-Devices (ATD)
and Removal Tools



Blank End Plugs (BEP)



Lip Seals

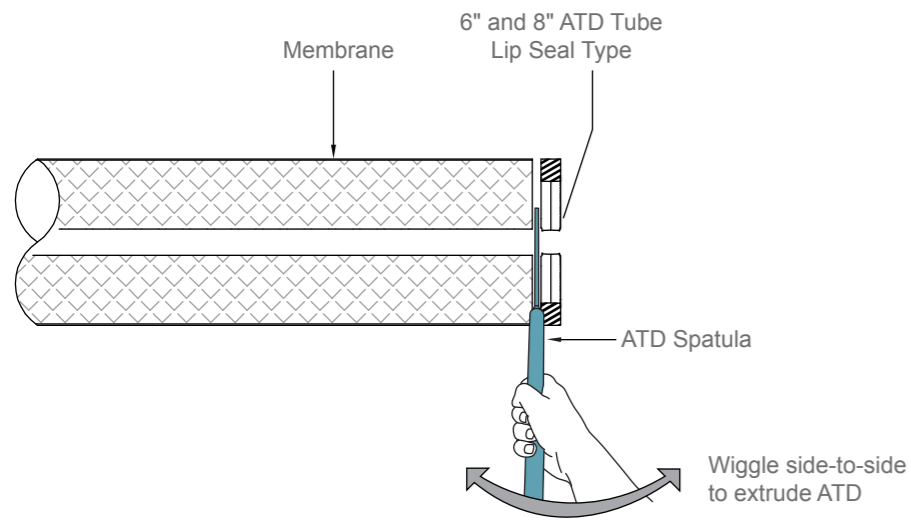


Permeate Hoses

Contact Smart Membrane Solutions:

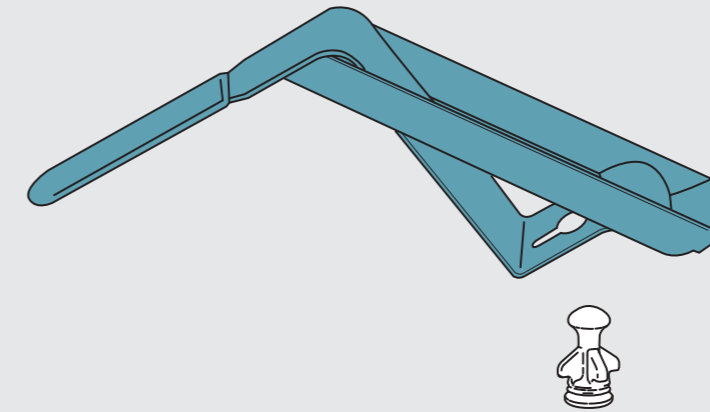
- ☎ +64-3-741 1808
- ✉ info@smartmembranesolutions.co.nz
- 🌐 www.smartmembranesolutions.co.nz
- 🏠 P.O. Box 148 Rolleston 7643, New Zealand

ATD Removal Tool



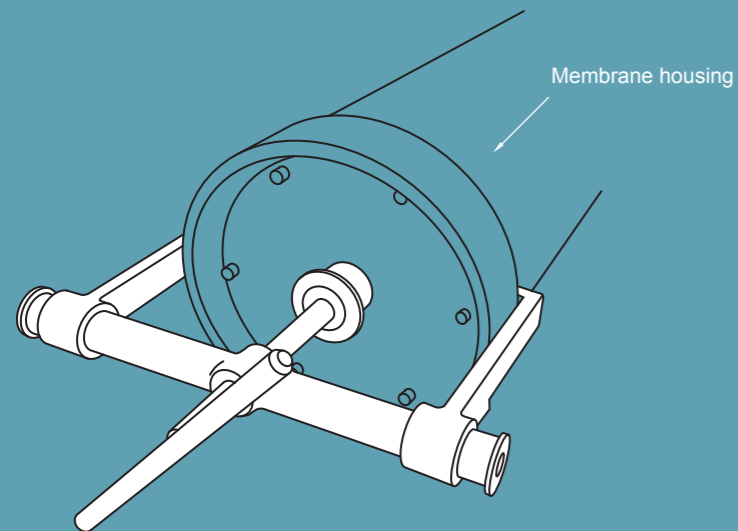
- ❖ Use of the ATD Removal Tool eliminates the risk of damage to membranes.
- ❖ Makes the removal of ATDs much safer than using screw drivers.
- ❖ ATD Removal Tool suitable for 6.3" and 8.0" Polysulfone and Stainless Steel ATDs.
- ❖ Type 304L Stainless Steel.
- ❖ Easy to use.

Blank End Plug Removal Tool



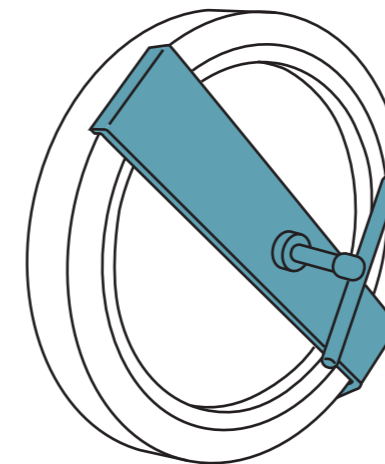
- ❖ Use of the BEP Removal tool eliminates the risk of damage that screwdrivers can cause to the plugs and user.
- ❖ Suitable for small and large Blank End Plugs.
- ❖ Type 304L Stainless Steel.
- ❖ Easy to use.

Housing End Cap Compressing Tool



- ❖ Specifically for 8.0" RO.
- ❖ Use of compressor tool eliminates the risk of damage to Membrane Housing.
- ❖ Makes the removal of Caps much safer for staff.
- ❖ Type 304L Stainless Steel.
- ❖ Easy to use.

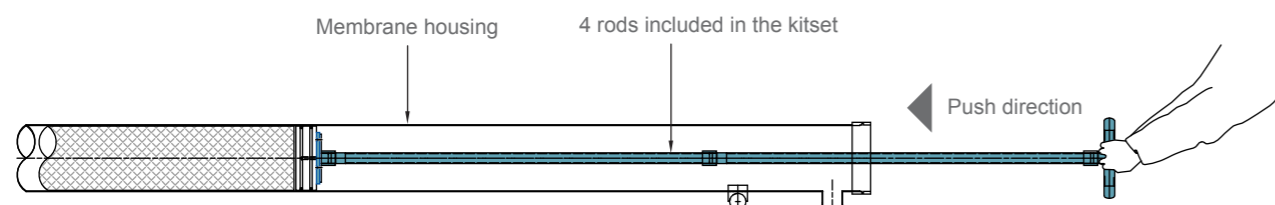
Housing End Cap Removal Tools



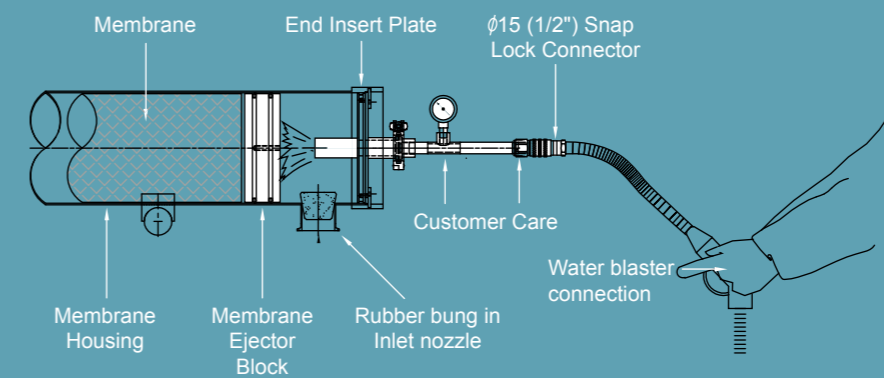
- ❖ Once compressed, use of this tool eliminates the risk of damage to Membrane Housing.
- ❖ Makes the removal of End Caps much safer for staff.
- ❖ Type 304L Stainless Steel.
- ❖ Easy to use.

Membrane Push Rod Tool

- ❖ Multi-module push rod assembly.
- ❖ Four 1.2m rods, handle and UHMPE lined end cap included.
- ❖ Won't scratch membrane housing internals.
- ❖ Type 304L Stainless Steel.
- ❖ Makes for easy removal of membranes.



Membrane Ejector Block



- ❖ For the very difficult to remove membranes. Uses low flow, high pressure water to push out membranes.
- ❖ Will slowly and safely push out stubborn membranes.
- ❖ Gauge and connection to high pressure water is customer care.
- ❖ Type 304L Stainless Steel.