

Smart Membrane Solutions Ltd

E.COLI Eliminator



SMART Membrane Water Purifiers

Creating Remarkable Water Your Family Can Trust

Benefits

- Enjoy peace of mind and healthy living knowing that your water has been filtered for remarkable purity
- Safeguard your health from chemical contamination
- Boost your daily performance to invigorate your body and mind
- Your children will habitually ask for water instead of soft drinks; your guests will rave about the beautiful taste of your water
- Compared to using conventional technologies, you will achieve higher energy productivity and environmental performance
- You will realize substantial savings
- Smooth, crisp, fresh and crystal clear water continuously served at home
- The system gives you the flexibility to obtain further purification features



Features

- Filters down to 0.04 micron to provide 99.999% physical removal of Bacteria (E-Coli), 99.9999% physical removal of viruses, and 99.7% physical removal of cysts (Cryptosporidium, Giardia)
- Removing Chlorine, Pesticides, herbicides, Alkenes, Chlorophenols, Aromatic Hydrocarbons and Trihalomethanes
- Leaving healthy minerals and natural salts in your drinking water
- The Eco-friendly system requires no power or chemicals to purify (98% energy efficient)
- No more purchased bottled water
- The system is well-built to look after itself with only a yearly service required
- You can install ion exchange options if you need to remove extra hard minerals, iron and manganese
- Elegant bench top tap



Technical Overview

The E.Coli Eliminator contains a spiral wound ultra filtration membrane that acts to physically remove cysts, bacteria and viruses from your water. The membrane is comprised of millions of microscopic pores that allow the water molecules and dissolved minerals to pass through the membrane layer while acting as a physical barrier to the harmful impurities, delivering guaranteed microbiologically safe drinking water to point of use. The E.Coli Eliminator is designed to daily self clean, flushing the harmful impurities away.

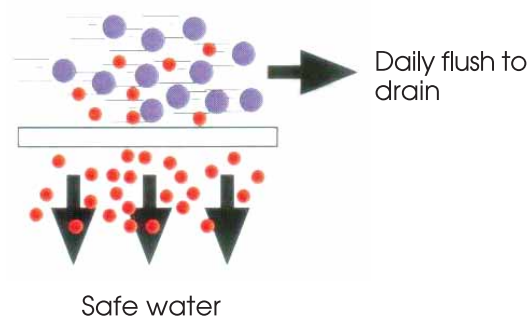
Flow rate (LPM)	1 – 4 (depending on water pressure)
Temperature range (°C)	0 – 50
Optimum pressure range (PSI)	30 – 50
Dimensions (mm)	140 x 320
Approximate flush volume (Litres)	4
Installation location	Under sink or near point of use
Controller voltage options	12 – 230 volts
Bacteria removal**	99.999%
Virus removal**	99.9999%
Cyst removal**	99.7%

**Certificate Of Performance

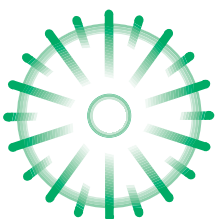
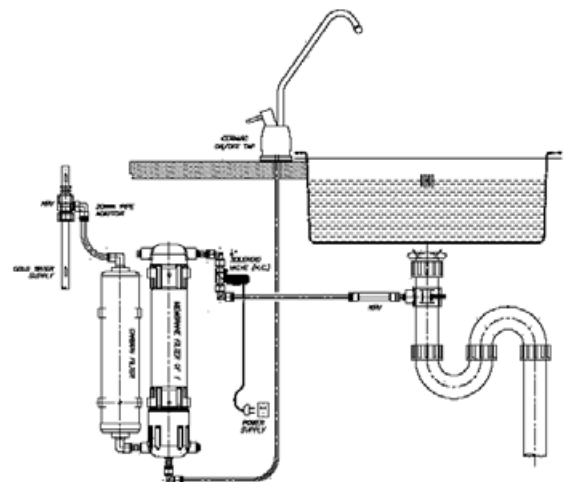
The E.Coli Eliminator water treatment unit has been tested by a procedure based on AS/NZS4348 'Water Treatment – Domestic Type Water Treatment Devices – Performance Requirements'. This standard is recognised by the NZ Ministry of Health for 'Treating water from roofs, rivers, lakes, etc.' (Full certificate available on website).

Safe, pure water

Self Cleaning with tangential flow



Typical under bench mount layout



Smart Membrane Solutions Ltd

P.O. Box 503, Cambridge, New Zealand

Tel: +64-7-823 7144

Fax: +64-7-823 7145

www.smartmembranesolutions.co.nz